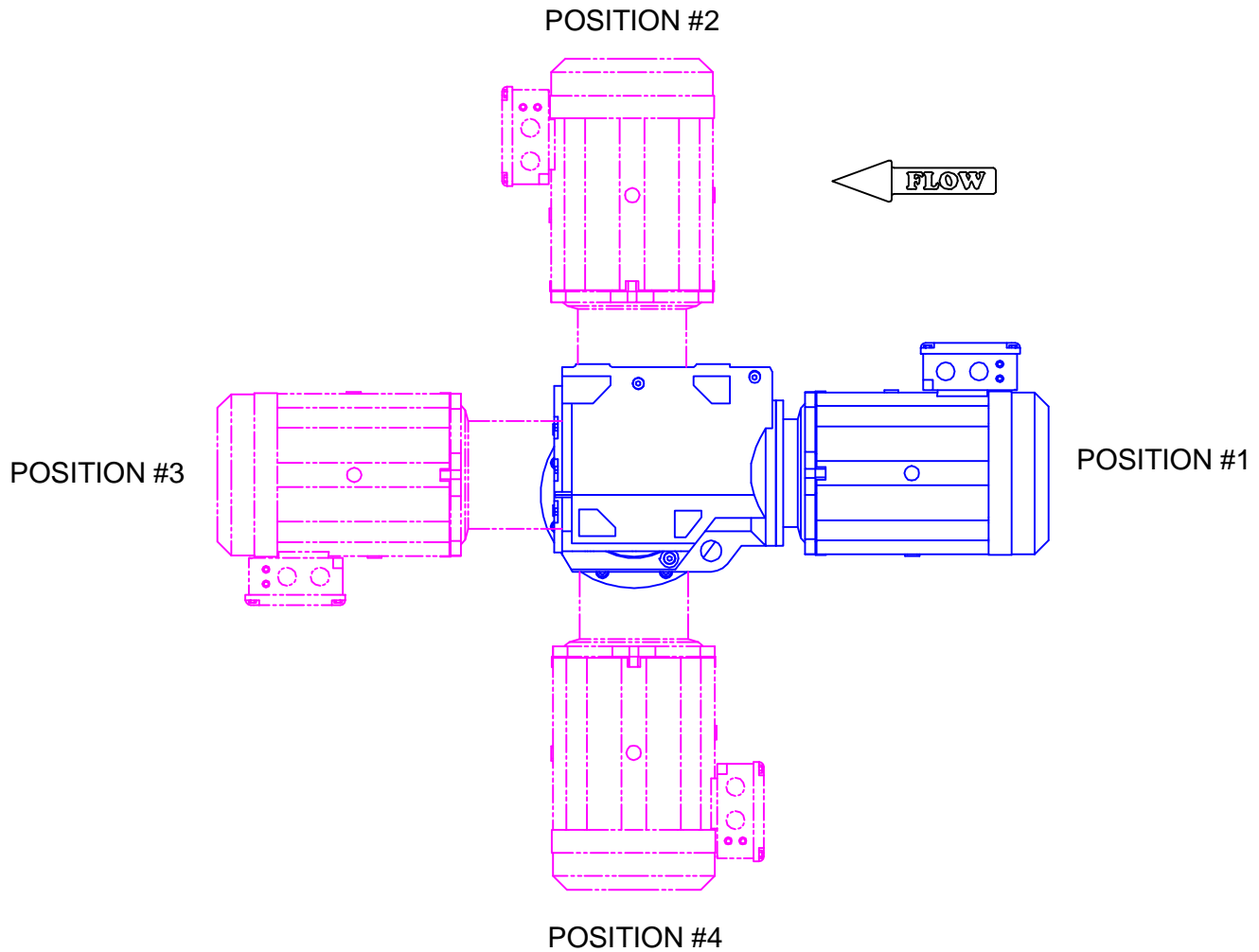



SHAFT DOWN GEAR PUMP/DRIVE INSTALLATION POSITIONS



VIEWS ARE LOOKING DOWN FROM
THE TOP.

NOTE:

1. VIEW FROM TOP LOOKING DOWN
2. PLEASE CHOOSE DESIRED ORIENTATION

	POLYMER SYSTEMS, INC 1703 PINEVIEW STREET, SE CONOVER, NC 28613		
TITLE EGP/DRIVE, SHAFT DOWN ORIENTATION POSITIONS			
SCALE	N/A		
DRAWN	JDB	DATE 11/04/14	DWG. NO.
CHECKED	JAB	DATE 11/04/14	EG-SHAFTDOWN-POS(A)
APPROVED	JAB	DATE 11/04/14	SH. NO. CONT. ON SH.